



**Model HPX10 Series
Automatic Battery Charger**

User's Manual

Rev. 1.0
October 17, 2006

**For Sales, Support and Service
phone: 407-331-4793
fax: 407-331-4708**

**website: www.xenotronix.com
email: information@xenotronix.com**

Xenotronix/TLI, Inc.
2541 Tracy Road
Toledo, Ohio 43619
Phone: 419-666-6982
Fax: 419-666-6534

Warranty

Seller warrants that its products ("Product(s)") will meet the specifications set forth in its catalog from time to time, unless the Buyer is notified otherwise prior to delivery. Seller will, without charge, repair or provide a replacement for any of the Products which prove to be defective in materials or workmanship within one (1) year from the date of shipment ("Warranty Period").

If, within the Warranty Period, Buyer discovers a defect in materials or workmanship which interferes with the operation of any Product, Buyer must promptly notify Seller, in writing, of such defect. Seller's sole obligation to Buyer under this Warranty is to repair and correct any defect in material or workmanship, or provide a replacement Product to Buyer. Seller's decision with respect to the applicability of this Warranty to any defect shall be final and conclusive. Seller reserves the right to require Buyer, at Buyer's sole cost and expense, to return any defective Product, including any alterations made thereto, F.O.B. Seller's factory in Ohio.

Seller does not warrant against abrasion, corrosion or erosion. Seller shall not be liable to Buyer or to any other person for work done or repairs made, to remedy any defect, by any person who is not an authorized representative of Seller, unless Seller's written consent is first obtained by Buyer. This Warranty does not apply to, and is rendered null and void by, any Product which, after leaving Seller's manufacturing plant: (a) is repaired or altered without Seller's prior written approval; (b) is the subject of improper storage, installation or operation; (c) is the subject of intentional or negligent misuse, misapplication, neglect or accident; or (d) is not used, repaired or altered in accordance with Seller's written instructions.

Seller expressly reserves the right to declare this Warranty null and void upon Buyer's failure to make full and timely payments with respect to any Products purchased by Buyer from Seller, in which event all of Seller's obligations, and Buyer's rights, under this Warranty, shall immediately terminate. SELLER DISCLAIMS THE IMPLIED WARRANTY OF MERCHANTABILITY AND FITNESS FOR A PARTICULAR PURPOSE, AND ANY IMPLIED WARRANTIES ARISING FROM COURSE OF PERFORMANCE, COURSE OF DEALING, OR USAGE OF TRADE. SELLER SHALL NOT BE LIABLE TO BUYER OR ANY OTHER PARTY UNDER THIS WARRANTY FOR DIRECT, SPECIAL, CONSEQUENTIAL, INDIRECT OR INCIDENTAL DAMAGES OF ANY KIND.

Notice to the User

The information contained in this manual is believed to be correct. However, Xenotronix/TLI, Inc. assumes no responsibility for any inaccuracies therein.

Information in this manual is subject to change without notice. No part of this manual may be reproduced or transmitted in any form, electronic or mechanical, for any purpose, without the express written permission of Xenotronix/TLI, Inc.

Copyright © 2006 Xenotronix/TLI, Inc. All rights reserved.

TABLE OF CONTENTS

Model HPX10 Automatic Battery Charger – User’s Manual

Important Safety Instructions	1
Introduction	2
Assembly Instructions	2
Operating Instructions	2-3
Charging Notes and Tips	3-4
Troubleshooting	4
Maintenance Instructions	5
Battery Charger Specifications	5
Battery Recommendations	6
Dimensions	6
Accessories	6

Parallel Battery Charger – Supplemental Instructions

Important Precautions	7
Introduction	7
Operating Instructions	7-8
Battery Charger Specifications	8

IMPORTANT SAFETY INSTRUCTIONS

SAVE THESE INSTRUCTIONS - This manual contains important safety and operating instructions for Model HPX10 Battery Chargers. Before using the battery charger, please read all instructions and cautionary markings on the battery charger, the battery, and the product using the battery.

CAUTION - To reduce the risk of electric shock:

- Do not expose unit to rain or moisture.
- Do not remove cover. There are no user serviceable parts inside. Refer service to qualified service personnel.
- Connect the battery charger directly to a grounding receptacle. An adaptor should not be used with this unit. This unit is equipped with a power plug having an equipment grounding conductor (3-prong). The unit must be plugged into an outlet that has been properly installed and grounded in accordance with all local and national codes and ordinances.
- Disconnect charger from AC power and battery before attempting any maintenance or cleaning. Turning off controls may not reduce this risk.

WARNING

- Charge only sealed or valve regulated, lead-acid, non-automotive, maintenance free rechargeable batteries. Attempting to charge other types of batteries may result in personal injury and battery damage.
- The enclosure (metal face) may become hot during the charge cycle - **DO NOT TOUCH!**
- Where hydrogen gas may be present, connect or disconnect the output connectors only when the unit is disconnected from AC power or arcing and burning may result.

DANGER - Never alter power plug blades or ground pin. If it will not fit the outlet, have a proper outlet installed by an electrician. Improper connection will result in the risk of an electric shock or fire.

Make sure cords are located so that they will not be stepped on, tripped over, or otherwise subjected to damage or stress. Do not operate this unit with a damaged cord or plug - replace them immediately. To reduce the risk of damage to electric plug, pull by unit body rather than output cord when disconnecting unit.

Do not operate charger if it has received a sharp blow, been dropped, or otherwise damaged in any way. Do not disassemble charger; incorrect reassembly will result in the risk of an electric shock or fire. Refer service to qualified service personnel.

Allow space around unit and adequate air circulation to reduce internal heat buildup. Do not block vents or operate in a small, enclosed space.

INTRODUCTION

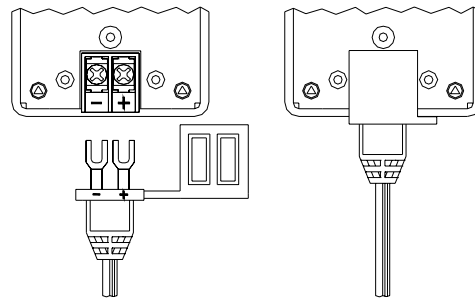
This unit is a two stage, constant voltage battery charger with current limiting, current fold back, and automatic temperature compensation of the output voltage. It is protected against shorting the output terminals and reversing the output terminals on a battery. Various output cables are available. There is one indicator light. It lights green to indicate when power is applied and, when a battery is attached, that the charger is in float mode. It lights yellow when the unit is charging the battery. It lights red to indicate a fault condition (shorted/reversed output connector).



This unit is designed to automatically switch into a single stage, float charge mode when the battery is charged. A single stage, parallel charger version is available for keeping a battery fully charged when used with a permanent or intermittent parallel load. The use of an optional low voltage cut out is recommended when using parallel loads. This unit is not designed to operate as a standalone power supply.

ASSEMBLY INSTRUCTIONS

Loosen the screws on the charger output terminal strip. Identify the polarity of the terminal strip and the output connector; both the charger housing and the output cable are marked with “+” & “-” symbols. Insert the two spade terminals under the terminal strip screws and tighten. To prevent accidental shorting, cover the exposed terminals with the molded press-on terminal cover.

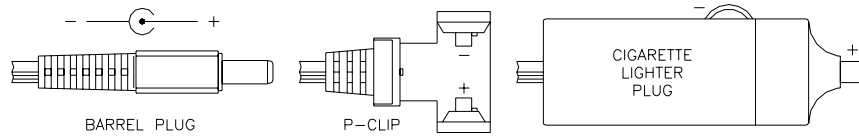


If using loose wires, insert stripped ends under washers. A cable having a shield may be grounded to the bottom hole using a number 6-32 x 1/4” machine screw.

OPERATING INSTRUCTIONS

Before using this battery charger, make sure it is compatible with your battery. Refer to the ratings on the battery charger, the specifications in this manual, and your battery documentation. Charge only sealed or valve regulated, lead-acid, non-automotive, maintenance free rechargeable batteries. Attempting to charge other types of batteries may result in battery damage.

Plug the charger into a properly grounded outlet which supplies the correct input voltage. The indicator light should now be on indicating that the charger is operating. Determine the battery polarity. Most batteries identify the positive terminal with a “+” sign or the color red and identify the negative terminal with a “-” sign or the color black. Connect the red insulated output clip to the positive battery terminal and connect the black insulated output clip to the negative battery terminal. If the charger is provided with a polarized connector, make sure your battery plug is wired to match the output connector. The standard polarity of the optional barrel plug, p-clip, and cigarette lighter plugs are shown.



The charger should now be on and charging the battery and the indicator light should be yellow. The yellow charge light will stay on until the battery is about 95% recharged. At this point the indicator will turn green and the charger will begin the float charge. The battery should be left connected to the charger for an additional three hours to ensure a 100% recharge. To help your battery keep its full capacity, we recommend the battery be left connected to the charger, in float charge mode, until ready to use. This will help prevent chronic undercharging, a leading cause of premature battery failure. The float charge is low enough to prevent overcharging, but high enough to allow the battery to replace its standing losses and maintain a 100% state of charge. The battery may be left connected to the charger indefinitely, in float charge mode, without danger of overcharging.

CHARGING NOTES AND TIPS

For safer and more efficient charging, batteries should be charged with higher voltages when cold and lower voltages when warm. This unit incorporates automatic temperature compensation of the output voltage. It will increase the charge voltage in cold conditions and decrease charge voltage in warm conditions. For this feature to work properly, the battery and charger should be located in the same environment (allow the battery and charger to stabilize at room temperature before charging). Initially, the charger voltage may read a little high until its internal temperature warms during operation, thereby lowering the voltage.

Make sure that you only charge the proper voltage battery. Trying to charge a lower voltage battery will cause severe overcharging and trying to charge a higher voltage battery may damage the charger.

These battery chargers are designed to charge a battery at the C/10 rate (battery capacity divided by 10 hours). Therefore, an 8 amp hours battery would require an 800 milliamp charge. Larger or smaller capacity batteries can be charged with these chargers with the

following precautions (refer to these charger specifications & your battery documentation for proper switch and charge currents to determine compatibility with this charger):

- When charging a larger capacity battery, it is possible the current will never reduce sufficiently for the charger to enter float mode. Should this occur the battery may become damaged due to over charging. In such a case, the capacity is too great and the battery should be charged with a higher current charger or a parallel charger.
- When charging a smaller capacity battery, the battery may be undercharged because the charger switches into float charge mode too early (relative to capacity). Leave the battery connected to the charger for 16-24 hours to finish charging in the float charge mode, or have a unit made with a custom switch current to match the battery capacity.

Xenotronix/TLI can make custom units, or modify our existing units, to exactly match your charging needs. Call our sales department for technical information and pricing.

Following are *some* of the modifications we can perform:

- Reduce charge current to match your battery capacity
- Change switch point to match battery and charge rate
- Adjust float and charge voltages for special conditions or batteries
- Make charger into a float charger (single stage)
- Make charger into a parallel charger (for use with loads in parallel with a battery)
- Provide custom cables and connectors
- Private labeling

TROUBLESHOOTING

NO INDICATOR LIGHT - If the indicator light is dark, check to see if the receptacle is controlled by a light switch or power strip switch. If all else appears normal then the charger probably needs repair or replacement.

NO CHARGE INDICATOR, NOT CHARGING - If the charger will not go into charge mode (yellow indicator) then the battery is probably already charged. Try again with another battery which you know is not charged.

FAULT INDICATOR - If the indicator light is red then either the outputs are hooked up in reverse or shorted together – make sure of the connection to the battery. Note: A nearly completely dead battery (less than one volt) looks like a short to the charger. If you suspect the battery is dead, leave the charger on the battery to see if it will go into charge mode. The charger will deliver a small amount of current into a dead battery and may eventually go into normal charge mode and recover the battery.

CHARGER WILL NOT SWITCH INTO FLOAT MODE - If the charger will not switch into the float mode, even after 24 hours, then the battery is probably damaged and is not properly accepting the charge. Remove the charger and check the open circuit voltage of

the battery - there should be about 2.15 V/cell for a properly charged battery (divide the battery voltage by two to get the number of cells). If the battery voltage looks correct then you may be trying to charge a battery which has too large a capacity for the charger (see charging notes and tips).

RATTLE - If you think you hear a rattle inside the charger it is probably only a loose terminal strip screw. Once the output cable is attached and the screws are properly tightened, the rattle should go away.

MAINTENANCE INSTRUCTIONS

CLEANING - Unplug the charger and disconnect the battery before attempting any cleaning. If it becomes necessary to clean the enclosure, wipe the enclosure exterior with a damp cloth. If necessary, use a mild detergent. Do not use an abrasive cleanser or spray cleaners directly onto the charger. Do not immerse unit in water.

BATTERY CHARGER SPECIFICATIONS

General Conditions	25 °C (77 °F)	
Operating temperature	0 to 40 °C (32 to 104 °F)	
Storage temperature	-40 to 80 °C (-40 to 176 °F)	
Dimensions	H 3.8" (9.65 cm) x W 2.8" (7.1 cm) x D 2.8" (7.1 cm)	
Weight	Less than 1.5 lbs (0.68 kg) with standard output cable	
Power Requirements	120 VAC, 60 Hz, 0.2 A	

Output Ratings (standard calibration):

Model	HPX10-06C100	HPX10-12C080
Charge Amps	1000 mA	800 mA
Charge Voltage	7.20 VDC	14.40 VDC
Switch Amps	approx. 133 mA	approx. 107 mA
Float Voltage	6.80 VDC	13.60 VDC

Other Models (standard calibration):

Charge Amps	see marking label
Charge Voltage	2.40 V/Cell
Switch Amps	approx. Charge Amps/7.5
Float Voltage	2.267 V/Cell

Safety Agency Approval CSA NRTL/C
 (USA and Canada)



BATTERY RECOMMENDATIONS

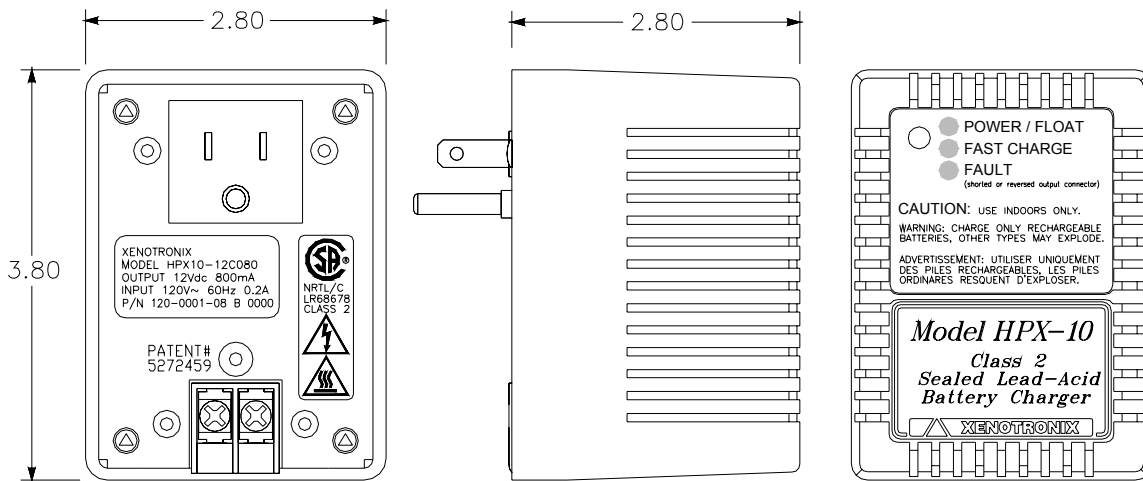
Lead-acid batteries charged @ C/10 rate. Smaller capacity batteries may require a smaller charge current to be safely charged. Consult the battery manufacturer or Xenotronix/TLI.

Model	Battery
HPX10-06C100	6 V, 10 Ah
HPX10-12C080	12 V, 8 Ah

Ah = Ampere-hours

Lead-Acid Batteries are nominally rated at 2V per cell (6V = 3 cells and 12V = 6 cells).

DIMENSIONS



ACCESSORIES

Optional Output Cables:

All output cables are 6' long and made using black, 18 AWG zipcord. One end has a custom molded connector for attaching to the output terminal strip and the other end may be chosen from the following options:

- HPXCS-1 Red and black insulated battery clips
- HPXCS-2 Bare wire leads. Positive lead identified with sticker
- HPXCS-3 Barrel plug connector, 2.5mm ID, 5.5mm OD
- HPXCS-4 Cigarette lighter plug
- HPXCS-5 Pressure contact "p-clip" for Panasonic LCS-2012 (or equivalent)

Model HPX10 Series Automatic Parallel Battery Charger

Supplemental Instructions

IMPORTANT PRECAUTIONS

Follow the battery manufacturer's recommendations when selecting a battery for use with this unit. The battery should be able to accept the full rated output current of this unit or the battery may be damaged if the load is disconnected with the battery in a discharged condition.

When using a load which is greater than the maximum continuous load specification, the battery may not charge and may begin to discharge. The use of a low voltage disconnect (LVD) is recommended.

Temperature compensation is disabled for parallel charger models. If using the charger in an ambient temperature above 35 °C (95 °F) or below 15 °C (59 °F), contact our sales department about receiving a custom model calibrated to match your battery and ambient temperature requirements exactly.

INTRODUCTION

This unit is a Parallel Charger version of the model HPX10 Battery Charger. It is designed to simultaneously float charge a battery while supporting or supplementing a parallel load. It may also be used to maintain larger capacity batteries than it would normally be able to charge.

OPERATING INSTRUCTIONS

Refer to the instructions in the main manual for connecting the battery. Connect the load in parallel with the battery and charger (note the correct polarity if required by the load).

There is one indicator on the front panel. It will light yellow when the unit is operating in the constant current mode at about 75% or more of its maximum rated current. In the constant current mode the unit is not regulating voltage and the battery may not maintain its charge. This unit should not operate continuously in the constant current mode. This unit should only go into the constant current mode intermittently as the parallel load requires, or when charging a discharged battery. The indicator light will switch from

yellow to green when the unit is operating in the constant voltage mode at about 75%, or less, of its maximum rated current. In the constant voltage mode the unit is regulating voltage and the battery is being properly charged. When the indicator first changes from yellow to green the battery should be more than 80% charged, depending on battery size. It may take an additional 16-24 hours to finish charging the battery to 100%. To insure a full charge and to help your battery keep its full capacity, we recommend the charger be left connected to the battery at all times. There is little danger of overcharging the battery if the above precautions are followed.

If AC power is lost, then the battery must fully support the load. To prevent battery damage from over-discharging, we recommend the use of a low voltage disconnect (LVD). The LVD will cut off the load from the battery when the battery is discharged and, after AC power has been restored, the LVD will automatically reconnect the load after the battery has received a partial charge.

This charger can support a continuous load up one half of its rated output current. For example: If the unit is rated for 1 A it will support a continuous load of 0.5 A. This will leave enough power to keep the battery properly charged and to recharge a discharged battery in the event of a power failure.

If the load is not continuous, it can be greater than the maximum continuous load specification. However, when operating with a higher current load the battery may not keep its charge and may begin to discharge. The load must be shut off intermittently to insure the battery is kept charged and to allow the charger to cool down.

If the load is greater than the maximum rated output current of the charger, the battery will become discharged. Allow for adequate recharge time.

BATTERY CHARGER SPECIFICATIONS

Output Ratings (standard calibration):

Model	HPX10-06P100	HPX10-12P080
Charge Amps	1000 mA	800 mA
Maximum Continuous Load	500 mA	400 mA
Voltage	6.80 VDC	13.60 VDC

Other Models (standard calibration):

Charge Amps	see marking label
Maximum Continuous Load	½ of Charge Amps
Voltage	2.267 V/Cell